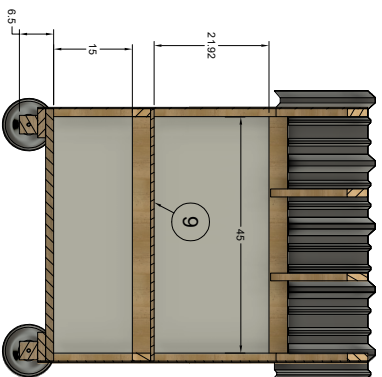
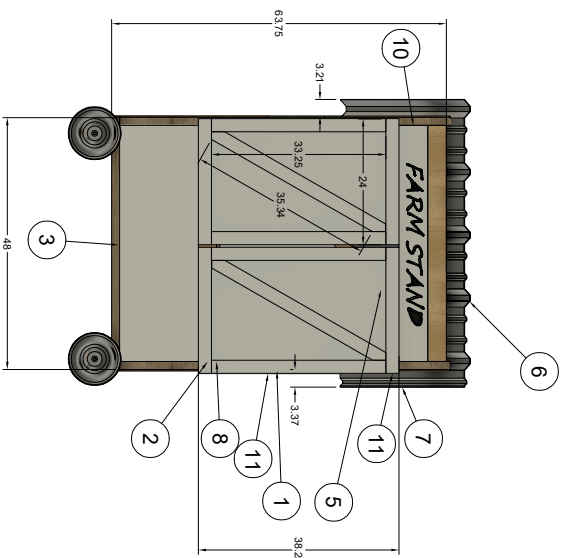
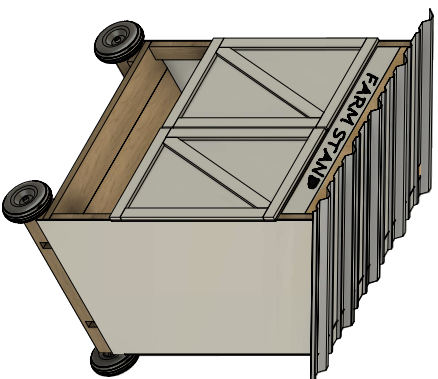
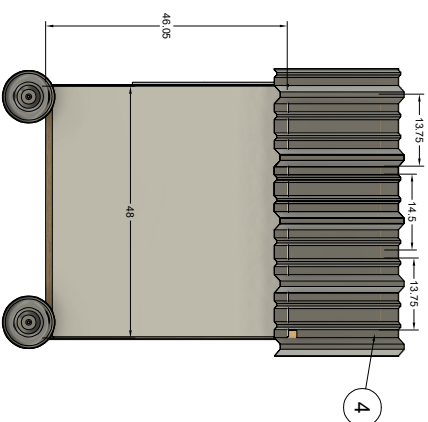
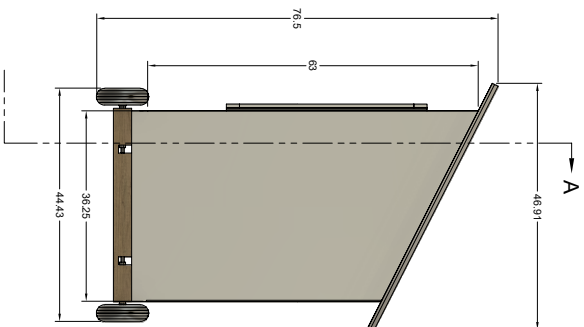


ITEM	QTY	PART NUMBER	DESCRIPTION	MATERIAL
1	1	ROOF V/S		PINE
2	3	2X4X4S		PINE
3	1	45X48-PL WOOD		PINE
4	2	RAFTER-1		PINE
5	2	RAFTER-2		PINE
6	1	ROOF		STEEL
7	1	ROOF-SHEET-2		STEEL
8	2	2X4X28/2S		PINE
9	1	SHELF		WOOD
10	1	FARM STAND SIGN		PINE
11	2	SMALL DOOR BASE		PINE
12	2	LARGE AXLE ASSY		PINE



SECTION A-A  
SCALE 1:12



PROJECT  
Tom's First Project  
TITLE  
Farm Stand Assembly

APPROVED	SIZE	CODE	DWG NO	REV
CHECKED	D			
DRAWN	Tom Oughey	11/13/2023	SCALE 1:10	WEIGHT
				SHEET 1/1